

**CST - Finishing, Fitting and  
Wood Treatment**

**T012**

**Thursday, 10/11/2016**

**08:30 - 11:30**

**WORKFORCE DEVELOPMENT AUTHORITY**



P.O. BOX 2707 Kigali, Rwanda Tel: (+250) 255113365

**ADVANCED LEVEL NATIONAL EXAMINATIONS, 2016,  
TECHNICAL AND PROFESSIONAL STUDIES**

**EXAM TITLE: Finishing, Fitting and Wood Treatment**

**OPTION: Construction (CST)**

**DURATION: 3hours**

**INSTRUCTIONS:**

The paper is composed of **three (3) main Sections** as follows:

**Section I: Fourteen (14) compulsory questions. 55 marks**

**Section II: Attempt any three (3) out of five questions. 30 marks**

**Section III: Attempt any one (1) out of three questions. 15 marks**

**Note:**

***Every candidate is required to carefully comply with the above instructions. Penalty measures will be applied on their strict consideration.***

**Section I. Fourteen (14) Compulsory questions****55marks**

- 01.** List and explain two ways of protecting any masonry structure from water deterioration. **4marks**
- 02.** State four ways of how windows lose and gain heat. **4marks**
- 03.** Wood as the structural material, state its five advantages and five disadvantages. **5marks**
- 04.** What is a file? **1mark**
- 05.** List down the four basic methods of sawing. **2marks**
- 06.** Explain in detail the term “sanitary fitting”. List two requirements of providing the number of sanitary fittings. **4marks**
- 07.** Describe two problems in pointing, and then propose their solutions. **4marks**
- 08.** Give five reasons explaining why a competent person is needed for scaffolding works. **5marks**
- 09.** Describe four stages in preparing wood for finishing. **4marks**
- 10.** Whenever the last step involves using sandpaper, you will leave dust on the wood. This dust must be cleaned off before applying a finish. State four ways to remove that dust. **4marks**
- 11.** List four tips to help you avoid getting glue on the wood. **4marks**
- 12.** Give the four primary characteristics of Varnish. **4marks**
- 13.** Illustrate five general steps of window installation. **5marks**
- 14.** Give five main methods used in wood preservation. **5marks**

**Section II. Choose and answer any three (3) questions.****30marks**

- 15.** (A) Highlight eight Safety rules which are required for Safe Scaffolding Use & Erection in a building site. **8marks**  
(B) Name the two most common materials used for scaffolding in Rwanda Construction Industry. **2marks**
- 16.** Demonstrate your knowledge of a Cantilever Scaffolding with a sketched section and name SIX parts. **10marks**
- 17.** Describe clearly FIVE advantages of a well insulated building with man-made thermal insulation. **10marks**
- 18.** Discuss FIVE conditions which should be considered for halls possessing good acoustical properties. **10marks**
- 19.** Highlight clearly FIVE key effects of Noise. **10marks**

**Section III. Choose and answer any one (1) question.**

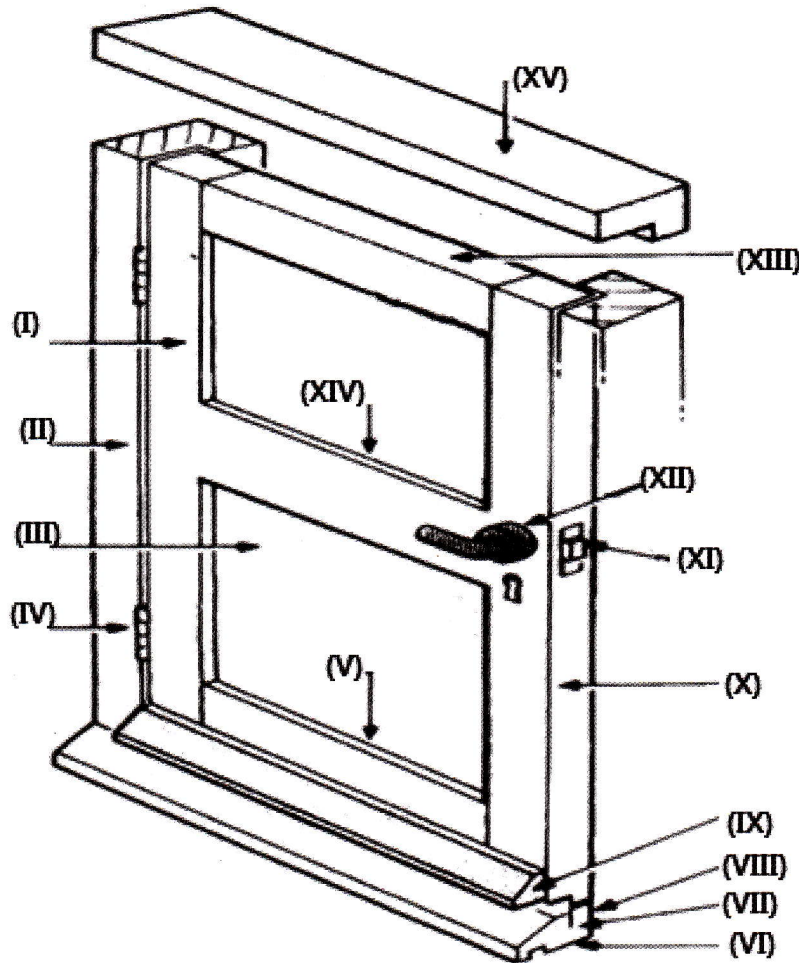
**15marks**

**20.** With clear sketched sections, differentiate the following two types of scaffolding and name at-least SIX parts in each type.

- a) Single scaffolding
- b) Double scaffolding

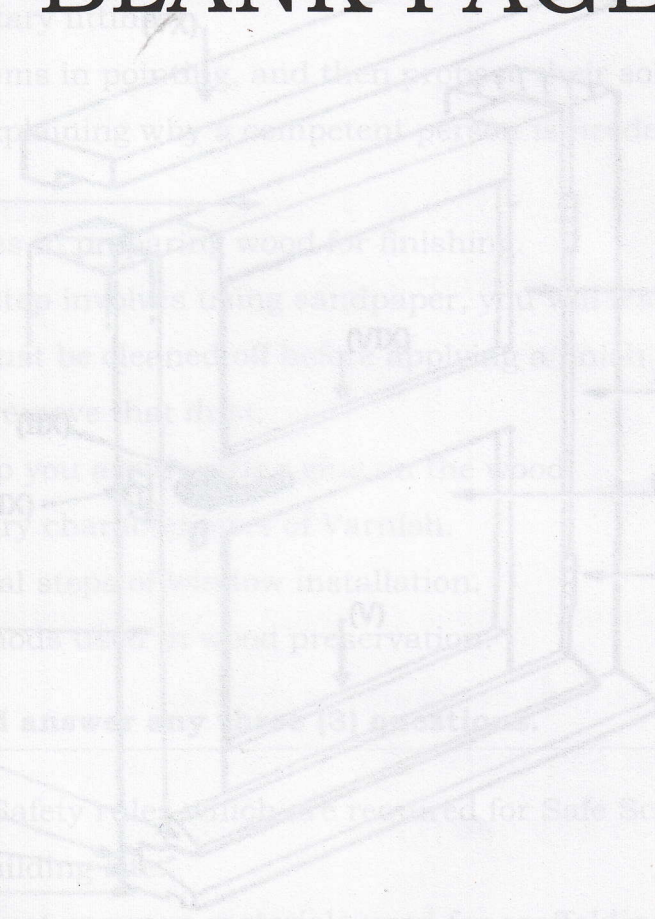
**21.** Outline TEN most common technical terms in bricks and bricklaying. Give brief meaning of each term.

**22.** Name the following 15 parts of a standard door.





# BLANK PAGE



- Section I. Choose and answer any three (3) questions. (14) questions (14) questions
20. With clear sketched sections, differentiate the following two types of scaffolding and name at least SIX parts in each type. (4marks)
21. Outline TEN most common technical terms in bricks and bricklaying. Give brief definition of each term. (10marks)
22. Name the following 15 parts of a standard floor scaffold. (15marks)
23. Describe two problems in scaffolding and their solutions. (4marks)
24. Give five reasons explaining why a competent person is needed for scaffolding work. (5marks)
25. Describe four stages of wood finishing. (4marks)
26. Whenever the last step involves using sandpaper, you will get dust on the wood. This dust must be cleaned before applying a finish. State four ways to remove that dust. (4marks)
27. List four tips to help you choose the right wood for a project. (4marks)
28. Give the four primary characteristics of Varnish. (4marks)
29. Illustrate five general steps in window installation. (5marks)
30. Give five main methods used in wood preservation. (5marks)
- Section II. Choose and answer any three (3) questions. (30marks)
31. (A) Highlight EXACTLY FIVE key points from the attached leaflet for Safe Scaffolding Use & Erection in Building. (5marks)
- (B) Name the two most common materials used for scaffolding in Rwanda Construction Industry. (2marks)
32. Demonstrate your knowledge of a Cantilever Scaffolding with a sketched section and name SIX parts. (10marks)
33. Describe clearly FIVE advantages of a well insulated building with man-made thermal insulation. (10marks)
34. Discuss FIVE conditions which should be considered for halls possessing good acoustical properties. (10marks)
35. Highlight clearly FIVE key effects of Noise. (10marks)